

PRODUCT DATA SHEET

PYLASTIC BUTTON TAG



DESCRIPTION

It is made of quality materials and is a solid and durable product in terms of its structure.
It is included in Ø22mm Button Series Accessories.
It has a long lifespan.

FEATURES

The plastic adopts high-grade flame retardant plastic.
Thanks to its high quality, it provides long life use.

MARKINGS

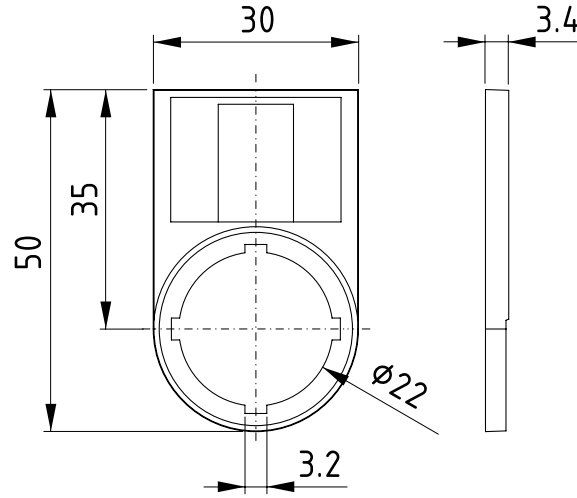


- According to CE

PRODUCT DATA SHEET

PYLASTIC BUTTON TAG

SECTIONS AND DIMENSIONS



PRODUCT CODE	DESCRIPTION
FC	Pylastic Button Tag